

# Elastomeric Engine Mounts

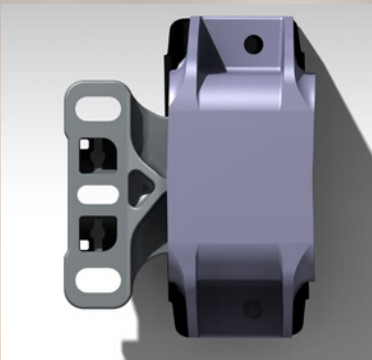
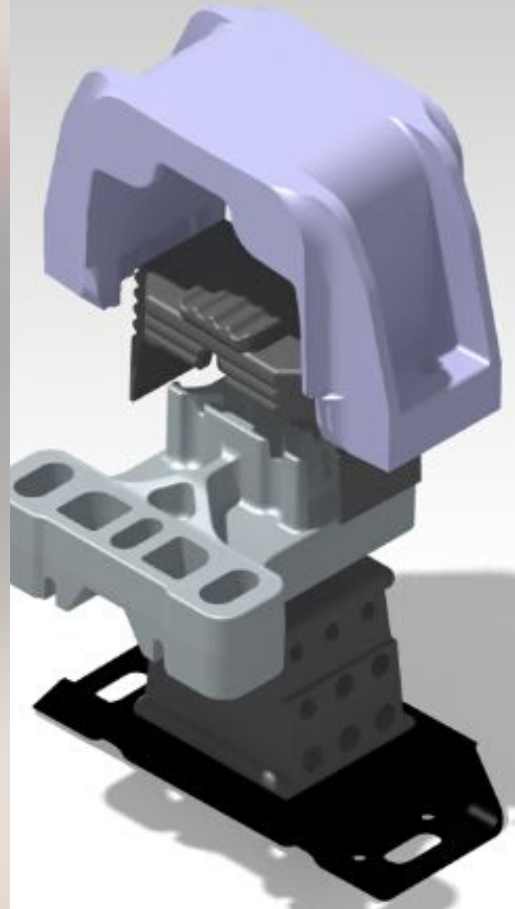
OE Equivalent



Elastomeric mounts provide protection from shock and vibrations, helping reduce noise caused by the road and the engine. They have been quite useful throughout the years but their dampening capacities are limited and their life-span is relatively short.

This type of mounts is manufactured in a range of rubber compounds and stiffness to suit the application requirements. The rubber could be used along with different metals in elastomeric mounts including steel, stainless steel and aluminum.

The rubber compounds are selected meticulously based on the application requirements. For instance, the rubber that should be in contact with Gasoline should be different than the one that's aimed for high temperature applications.



**UCEL**  
RUBBER TO METAL EXPERT  
KAUÇUK & METAL UZMANI